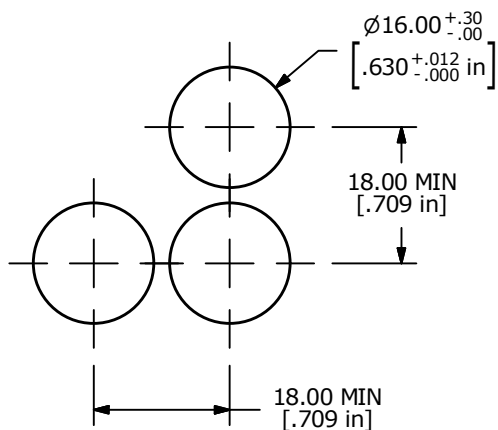
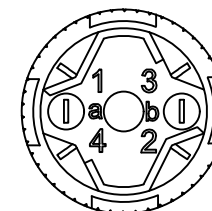
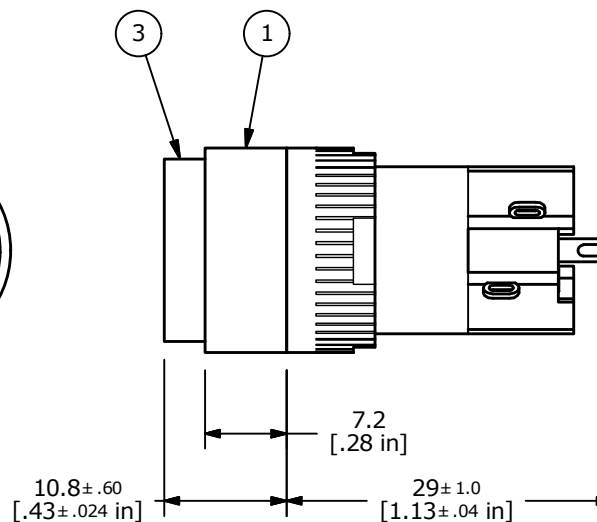
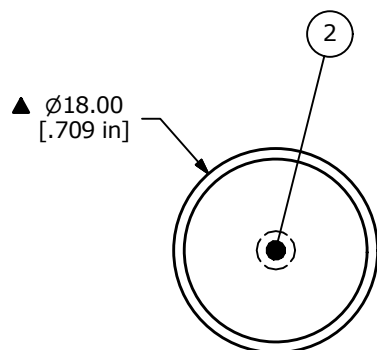
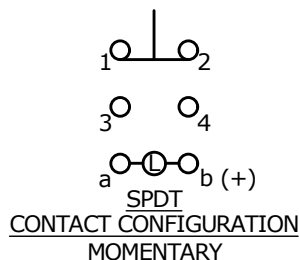
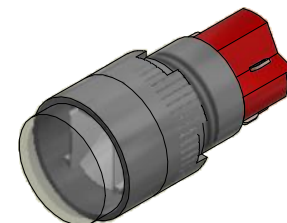


PARTS LIST			
ITEM	QTY	PART NUMBER	DESCRIPTION
1	1	F040009	D16OAR11
2	1	F050404	INCANDESCENT LAMP, 14VAC/DC
3	1	F050105	LENS, WHITE, ROUND CONCAVE



PANEL MOUNTING
PANEL THK. 0.5mm - 5.0mm



NOTE:

1. ALL DIMENSIONS IN MM [INCH]
2. GENERAL TOLERANCE: X.X = ± 0.4
X.XX = ± 0.25
3. TERMINAL NUMBERS FOR REF ONLY
4. RATING: 5A @ 250 VAC, 8A @ 125 VAC
6A @ 24 VDC
5. MECHANICAL LIFE: 2,000,000 OPERATIONS
6. INSULATION RESISTANCE: 1,000 MILLI-OHM MIN.
7. OPERATING TEMP.: -25°C to 55°C
- ▲ 8. LAMP TYPE: 14VAC/DC INCANDESCENT
9. ▲ DENOTES CRITICAL PARAMETER.
10. PACKAGE: BOX/20 PER



A	23645	RELEASED FOR PRODUCTION	10/29/18	MW
REV	PCR NO	DESCRIPTION	DATE	BY

TITLE D16OAR11BWHT				
SCALE	DATE	DR	DWG	REV
2:1	10/29/2018	MW	XF0920P	A

THE INFORMATION CONTAINED IN THIS DOCUMENT IS PROPRIETARY TO E-SWITCH AND IS NOT TO BE COPIED OR TRANSFERRED